

Enquiry Order

Reference no. (Customer):

Customer no.:	<input type="text"/>	Order address:	<input type="text"/>
Customer:	<input type="text"/>		<input type="text"/>
Contact person:	<input type="text"/>	Delivery address:	<input type="text"/>
Telephone:	<input type="text"/>		<input type="text"/>
E-mail:	<input type="text"/>	Requested delivery date:	<input type="text"/>

Edscha TS TipperRoof Roof

Basic roof*

Piece Quantity of roofs with identical parameters

including E-Drive as well as rail kit steel, screwed

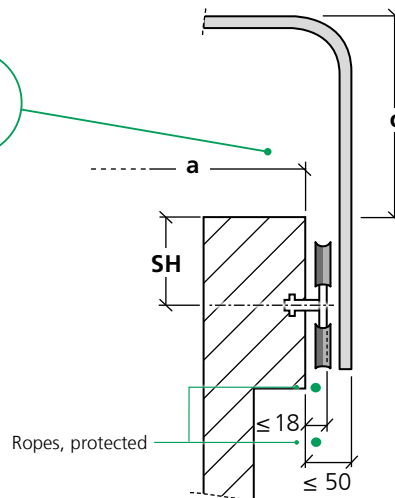
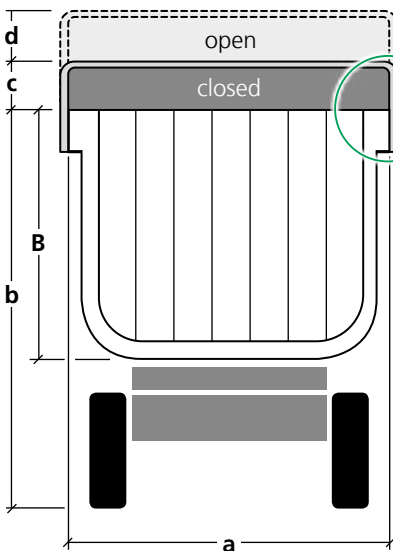
Required M8 stainless steel pull-in nuts not included in the scope of delivery

Rail adapter with thread weldable on request

* Scope of delivery as described in the brochure under "Basic roof"

Body, dimensions with open and closed roof

Roof assembly height (box overhang)



Standard:
c = 300 mm (SH = 60 mm)

a = mm

b = mm

c = 300 mm

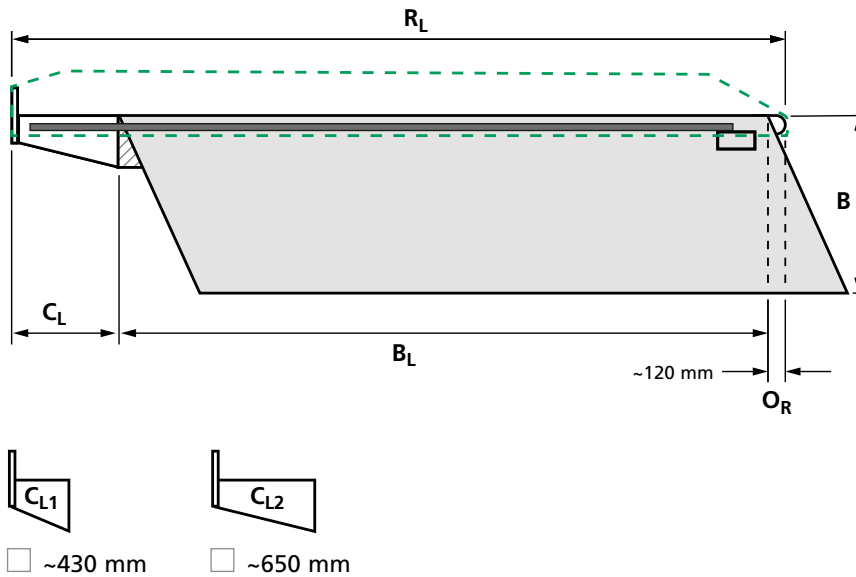
d = ~350 mm



b + c ≤ 4 m

Please observe local traffic regulations!

Modular console: possible mounting position



$B_L =$ mm

Determination of the required roof length

$R_L = C_L + B_L + O_R$

$B_L = R_L - C_L - O_R$

Legend

- R_L = Roof length
- C_L = desired position of the consoles (C_{L1} oder C_{L2})
- B = Box height
- B_L = Box length on top, front to rear side of the flap
- O_R = Roof overhang at rear

Tarpaulin coverage

Tarpaulin Standard (RAL 7035)
Light grey

Tarpaulin with different color*

* Longer delivery times

- RAL 1014, beige
- RAL 2008, bright red orange
- RAL 3002, carmine red
- RAL 5002, ultramarine blue
- RAL 5010, gentian blue
- RAL 6026, hollandgreen
- RAL 9005, black
- RAL 9006, white aluminium

Optional accessories

Front ladder kit

- complete, incl. ladder
- without ladder

optional additional Guide roller set 1 roll

Quantity: Pcs.

LED work light 24W

- additional radio remote control transmitter, can be coded**