

Enquiry Order

Reference no. (Customer):

Customer no.:	<input type="text"/>	Order address:	<input type="text"/>
Customer:	<input type="text"/>		<input type="text"/>
Contact person:	<input type="text"/>	Delivery address:	<input type="text"/>
Telephone:	<input type="text"/>		<input type="text"/>
E-mail:	<input type="text"/>	Requested delivery date:	<input type="text"/>

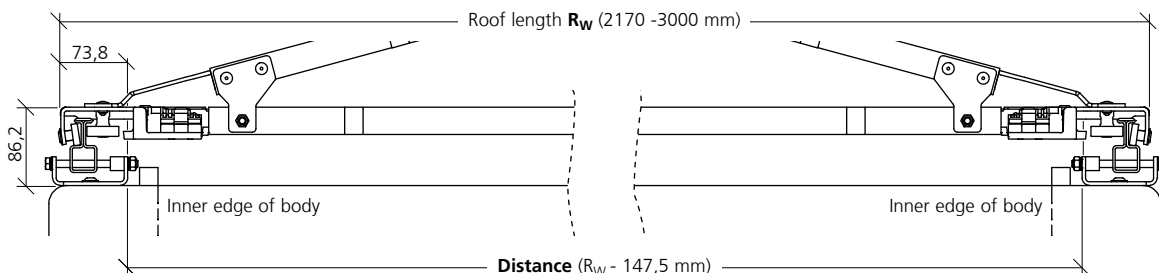
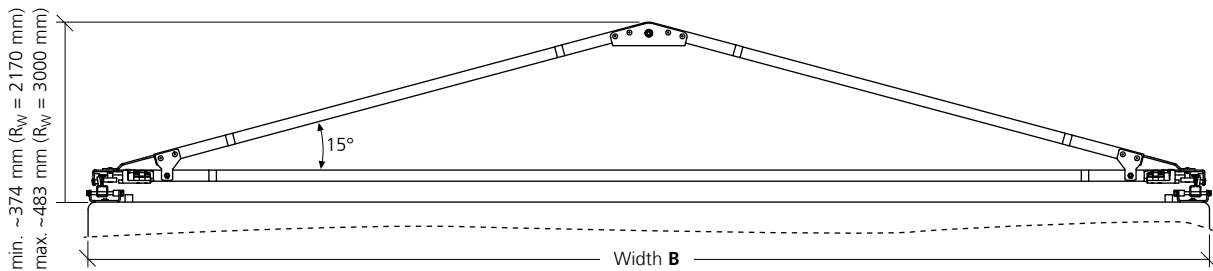
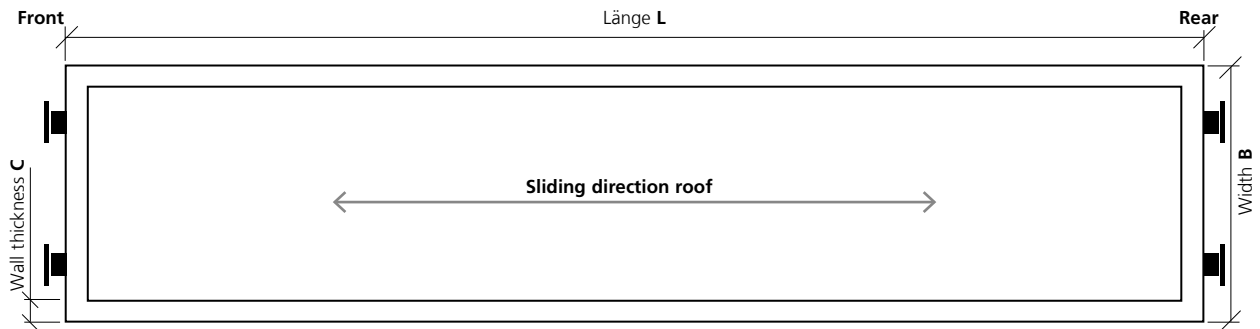
Edscha TS OpenBox Railway Roof

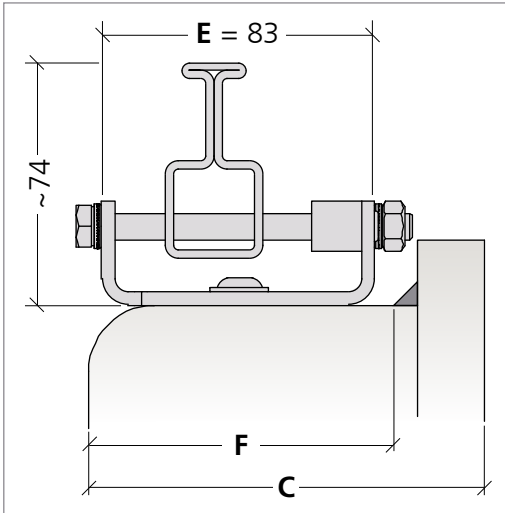
Basic roof*

Piece Quantity of roofs with identical parameters

B = mm **L** = mm **R_w** (B-26) = mm
 Width Length Roof length

* Scope of delivery as described in the brochure under "Basic roof"





$R_W < B$



$E \leq F$

Watch out for obstacles!



Attention!

Observe limit dimensions!

As standard:

- 2 x Locking front wall
- bidirectional movable
- Tarpaulin light grey (~ RAL 7035)
other colors on request

Tarpaulin with spark guard (optional)